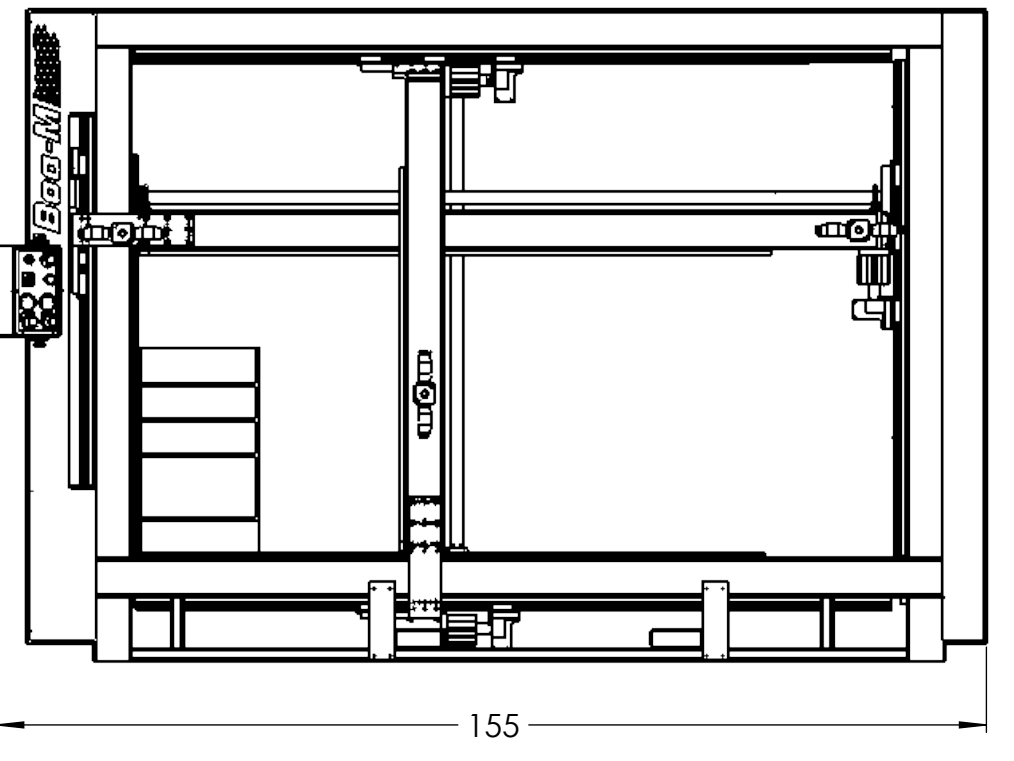
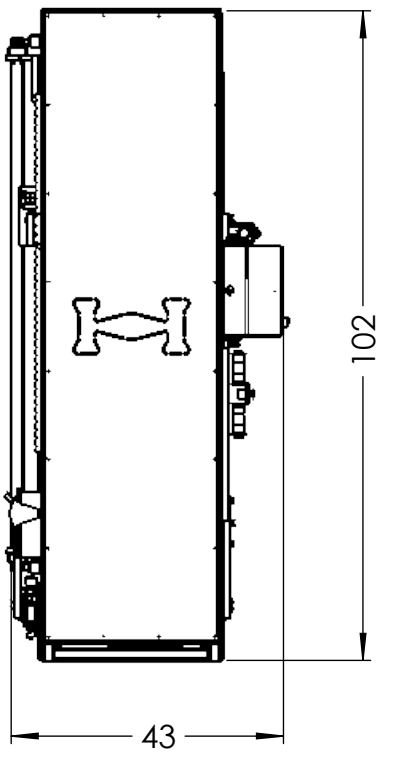
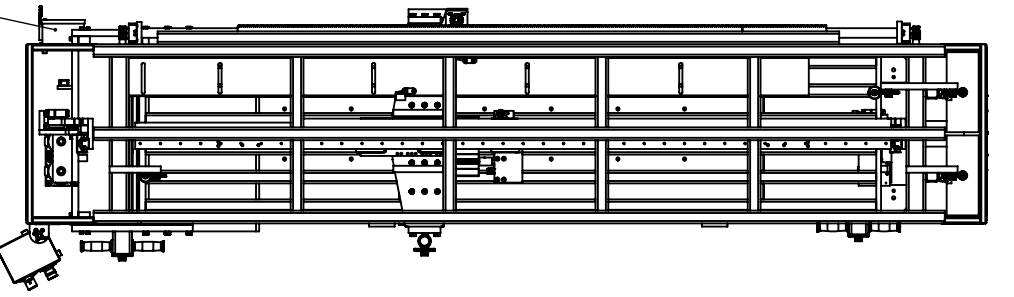
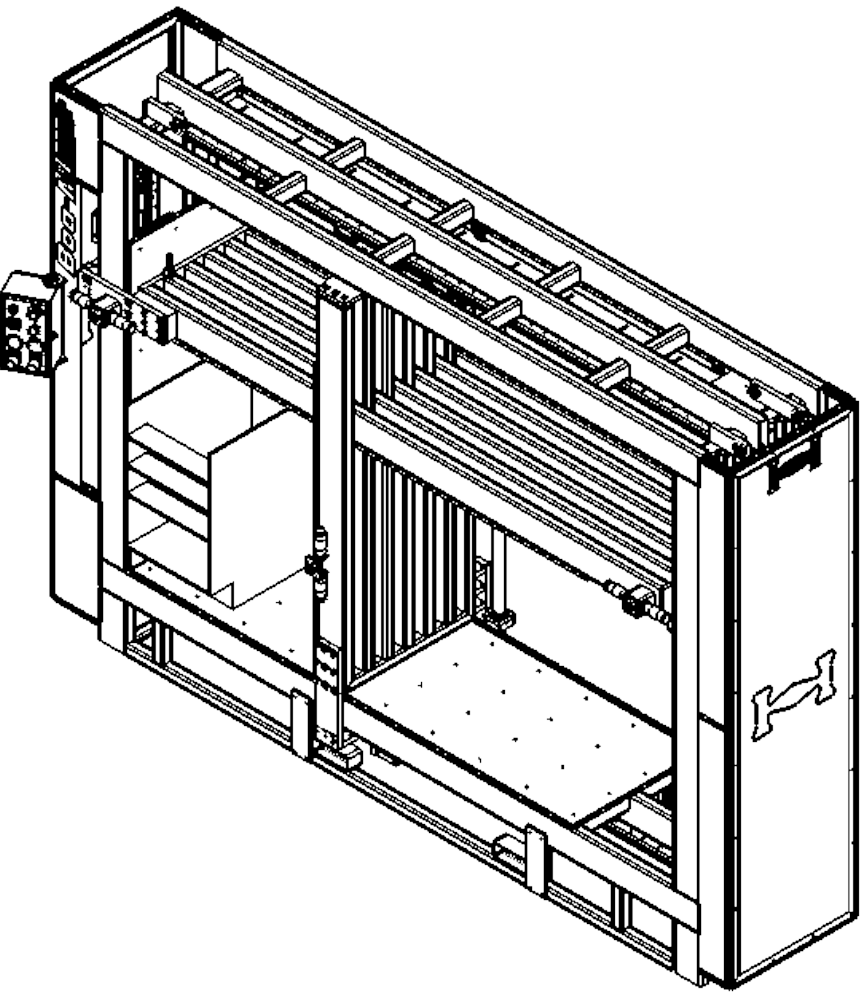


AIR / POWER
90-110 PSI
120 VAC
SINGLE PHASE
15 AMPS



REVISIONS				
ZONE	REV.	DESCRIPTION	DATE	APPROVED
	A	RELEASE	7/8/2022	NN



TOOLING: (ST/NS)		
MATERIAL SIZE:	X	X

MATERIAL:	
FINISH:	
QTY:	
WEIGHT:	

<p>THIRD ANGLE PROJECTION LINEAR TOLERANCES: X = ± 0.05 .XX = ± 0.01 .XXX = ± 0.003 ANGULAR TOLERANCES ± 1° CHAMFER TOLERANCES ± 5° REMOVE ALL BURRS & SHARP EDGES .002 - .020 X 45° MAX SURFACE FINISH 125√</p>	ASME Y 14.5M 1994 APPLIES DRAWING SPECIFIES THE COMPLETE PART REQUIREMENT		
	SIZE: B	PART NO. BOA-M 98 FOOTPRINT	
SCALE: 1:30		DO NOT SCALE DRAWING	SHEET 1 OF 1
CREATED 7/8/2022		SAVED 7/8/2022	

MACHINE USE ON