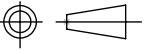



MACHINE:	HPJ-13	ASME Y 14.5M 1994 APPLIES DRAWING SPECIFIES THE COMPLETE PART REQUIREMENT  THIRD ANGLE PROJECTION LINEAR TOLERANCES: X = ± 0.05 XX = ± 0.01 .XXX = ± 0.003 ANGULAR TOLERANCES ± 1° CHAMFER TOLERANCES ± 5° REMOVE ALL BURRS & SHARP EDGES .002 - .020 X 45° MAX SURFACE FINISH 125✓	 2017 HPJ		
POWER:	220 V. 3 Ph				SIZE
AIR PSI:	90 - 110		<b>B</b>	HPJ-13 FOOTPRINT	REV.
DUST PORTS:	1 @ 3"				<b>A</b>
DUST CFM:	350		SCALE:1:24	DO NOT SCALE DRAWING	SHEET 1 OF 1