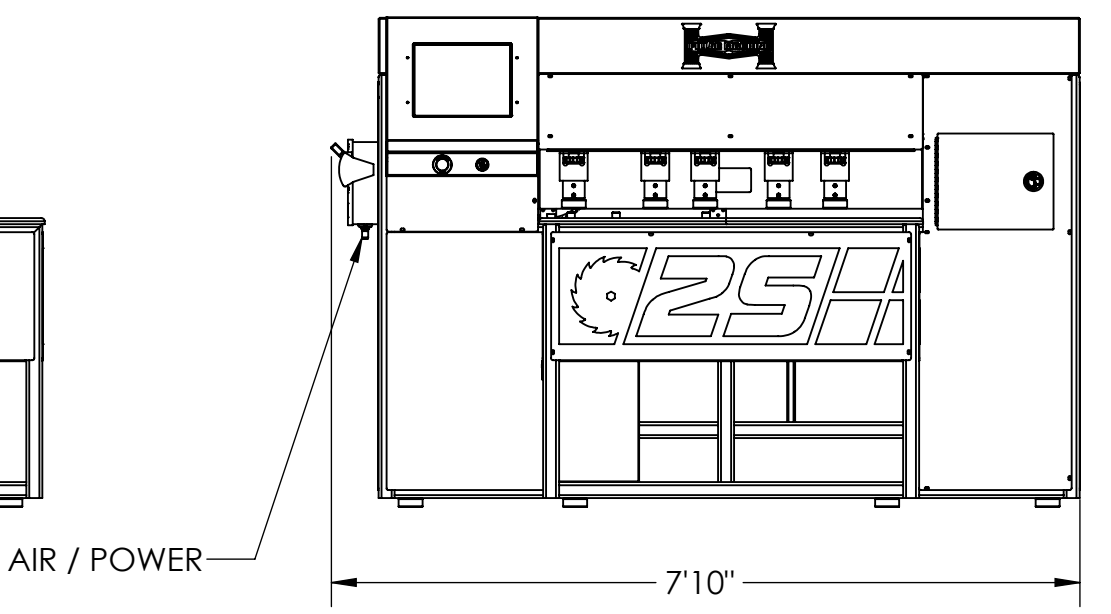
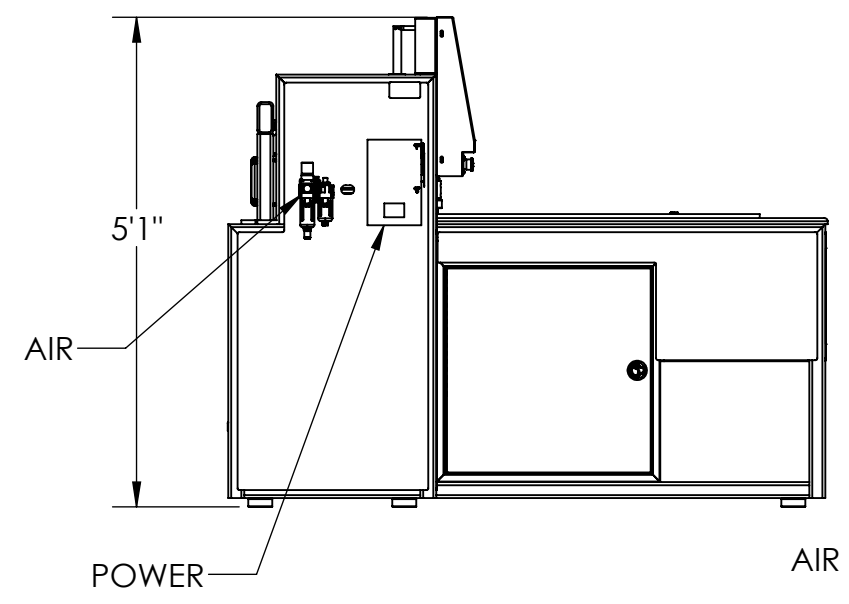
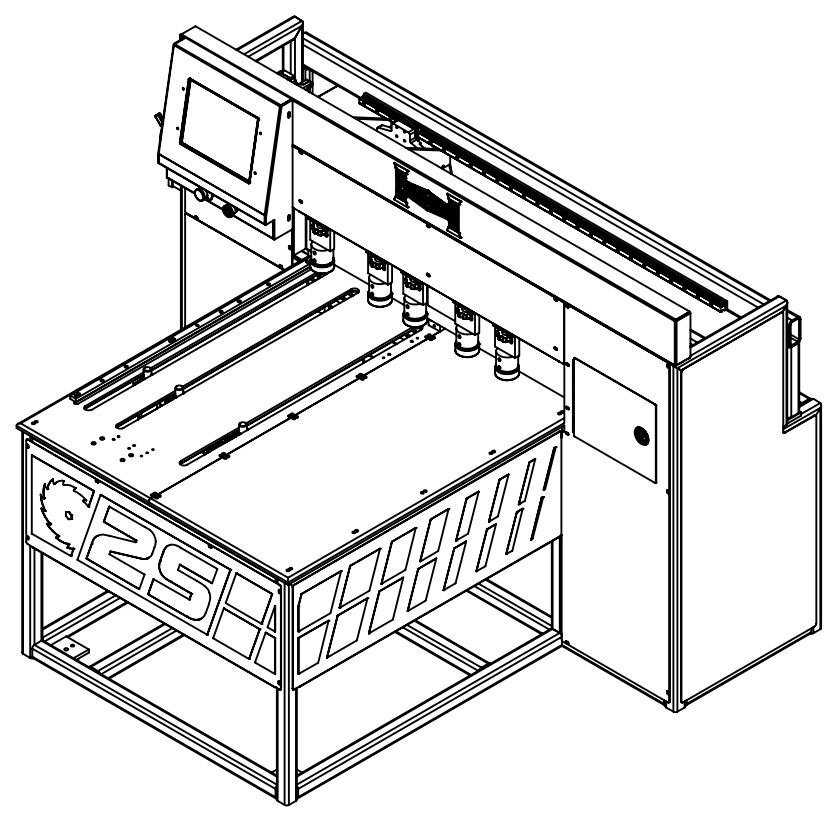
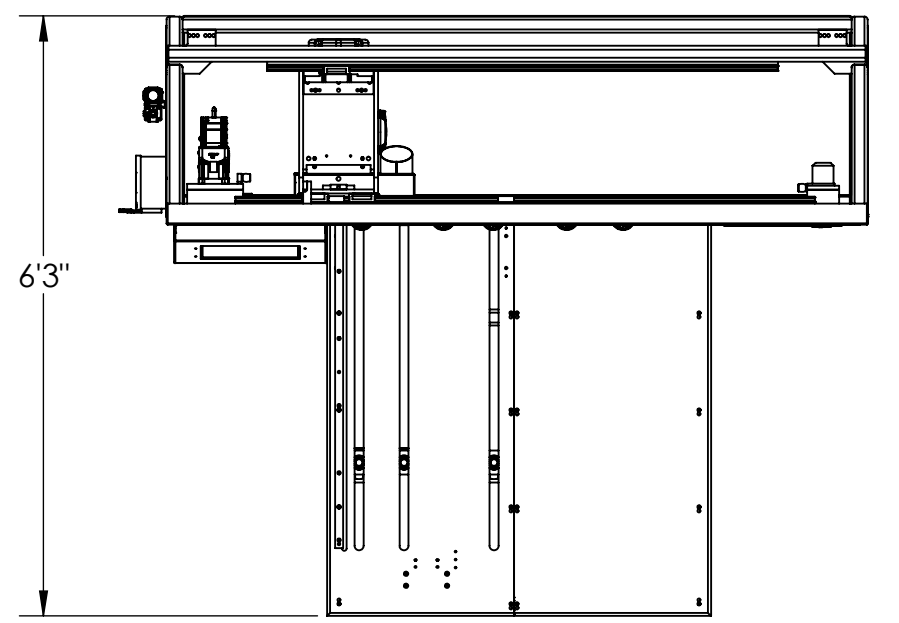


NOTE TO PERSONS RECEIVING THIS DRAWING AND/OR TECHNICAL INFORMATION: PILLAR MACHINE. CLAIMS PROPRIETARY RIGHTS OF THE INFORMATION DISCLOSED HEREON.
 THIS DOCUMENT IS ISSUED IN CONFIDENCE AND IS NOT TO BE REPRODUCED OR USED TO MANUFACTURE ANYTHING SHOWN HEREON WITHOUT PERMISSION OF PILLAR MACHINE.



MACHINE:	2S-5
POWER:	220 V. 3 Ph
AIR PSI:	90 - 110
DUST PORTS:	4" (1X)
DUST CFM:	350


ASME Y 14.5M 1994 APPLIES
 DRAWING SPECIFIES THE
 COMPLETE PART REQUIREMENT

THIRD ANGLE PROJECTION

LINEAR TOLERANCES:
 X = ± 0.05
 XX = ± 0.01
 .XXX = ± 0.003

ANGULAR TOLERANCES ± 1°
 CHAMFER TOLERANCES ± 5°
 REMOVE ALL BURRS & SHARP EDGES
 .002 - .020 X 45° MAX

SURFACE FINISH 125✓



2017 VERSION 2S

SIZE	PART NO.	REV.
B	2S FOOTPRINT	A
SCALE: 1:24	DO NOT SCALE DRAWING	SHEET 1 OF 1